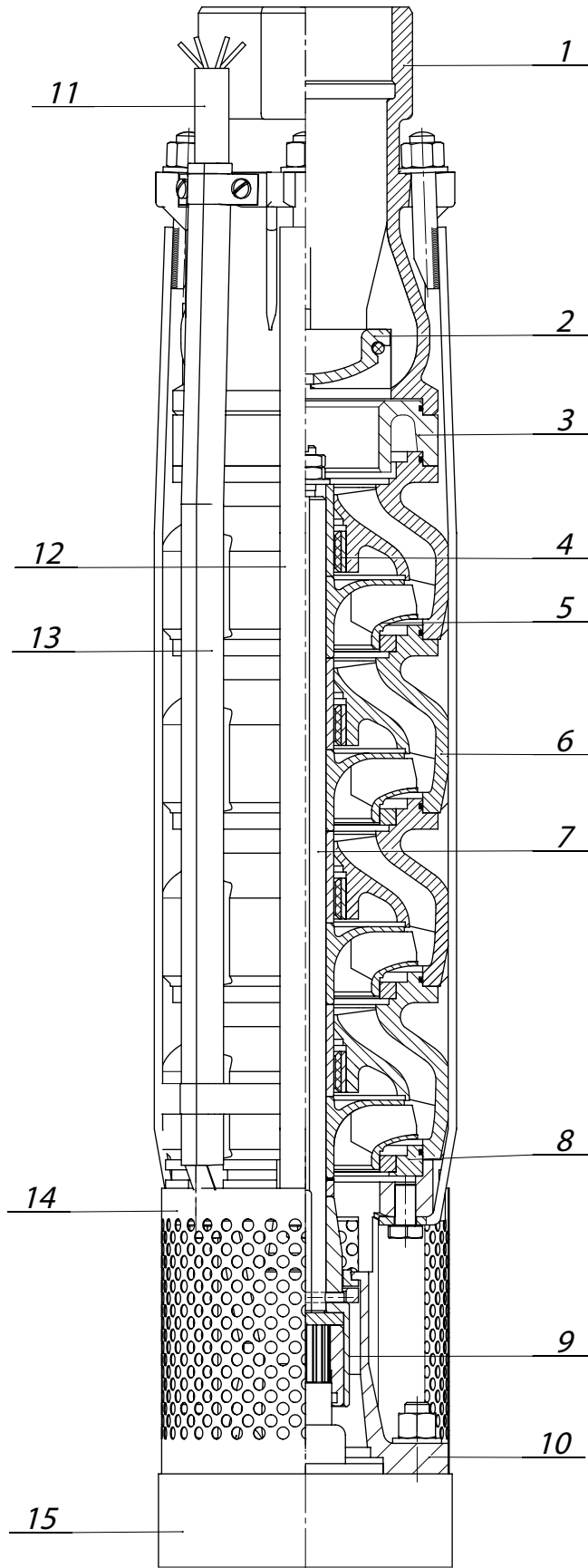


# GBD.4, GBD.5



1	Discharge casing
2	Non-return valve
3	Non-return valve housing
4	Metal and rubber bearing
5	Impeller
6	Middle casing
7	Shaft
8	Casing
9	Coupling
10	Suction casing
11	Feeder cable
12	Connecting band
13	Cable duct
14	Perforated sheet
15	Motor