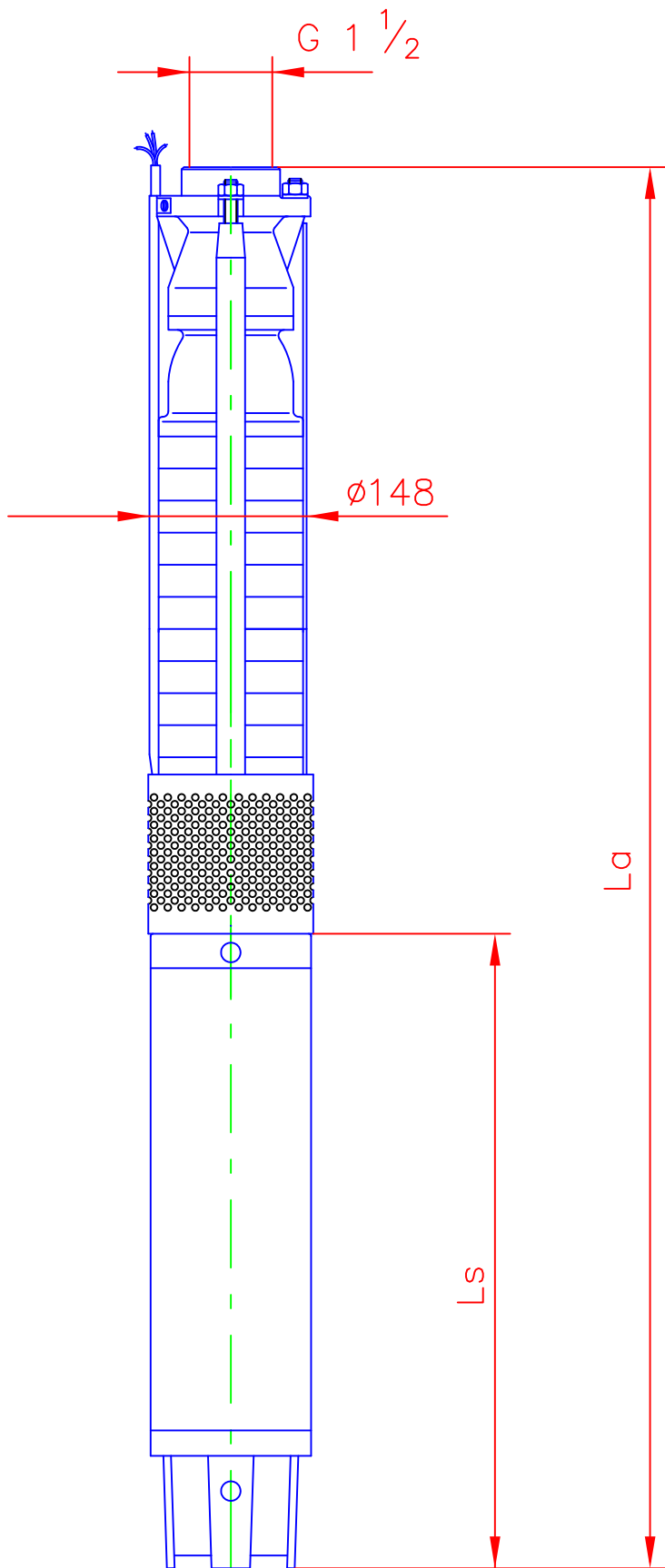


Gabaryty agregatu GB.0, GBC.0 + SMP.6



| Pompa | Ls | La | Moc silnika [kW] | Masa [kg] |
|---------|-----|------|------------------|-----------|
| GB.0.50 | 730 | 2747 | 11 | 108.5 |
| GB.0.52 | 730 | 2803 | 11 | 109.5 |
| GB.0.54 | 730 | 2859 | 11 | 110.5 |
| GB.0.56 | 730 | 2915 | 11 | 111.5 |
| GB.0.58 | 730 | 2971 | 11 | 112.5 |
| GB.0.60 | 781 | 3078 | 13 | 119 |