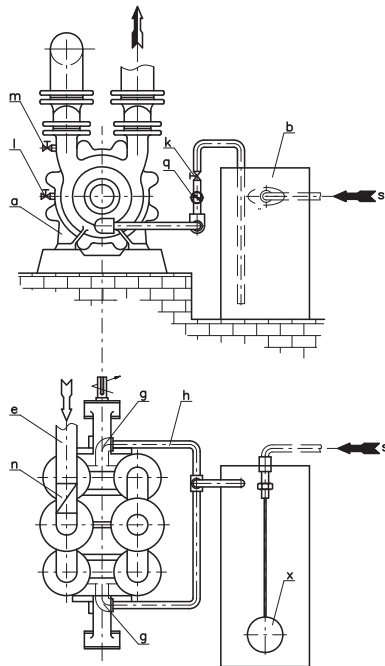


Examples of installation

I type of operation

PW/DW.04

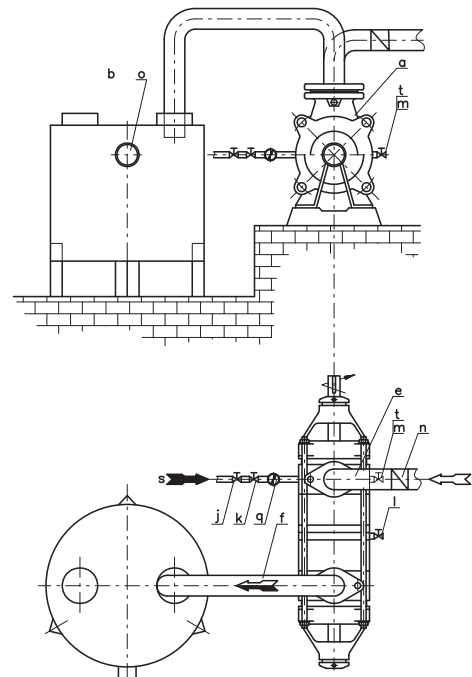


Installation scheme of vacuum pump
PW.4.11-14, PW.5.12-14, PW.7.11-14.

Suction pipeline of working liquid “h” and connection “g” are installed only from the coupling side in vacuum pumps PW.4.11-12, PW.7.11.12.

I type of operation

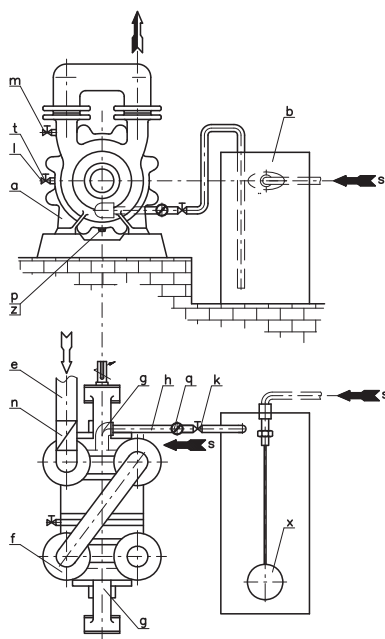
PW/DW.03



Installation scheme of vacuum pump PW.1.

I type of operation

PW/DW.05



Installation scheme of vacuum pump
PW.4.21-24, PW.5.21-24, PW.7.21-24.

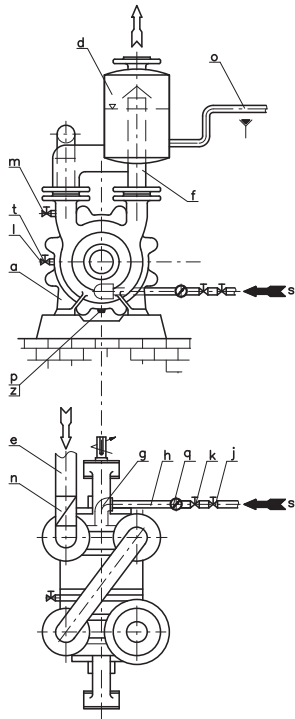
Symbol explanations

a	vacuum pump
c	free standing tank
d	attached tank
e	suction pipeline
f	discharge pipeline
g	working liquid connection
h	working liquid suction pipeline
k	control valve
j	cut-off valve
l	ventilation valve
m	start up valve
n	check valve
o	overflow valve
p	drain hole
q	flowmeter
s	fresh working liquid feeding in
t	control valve
u	working liquid level gauge
w	heat exchanger
z	stopper

Examples of installation

I type of operation

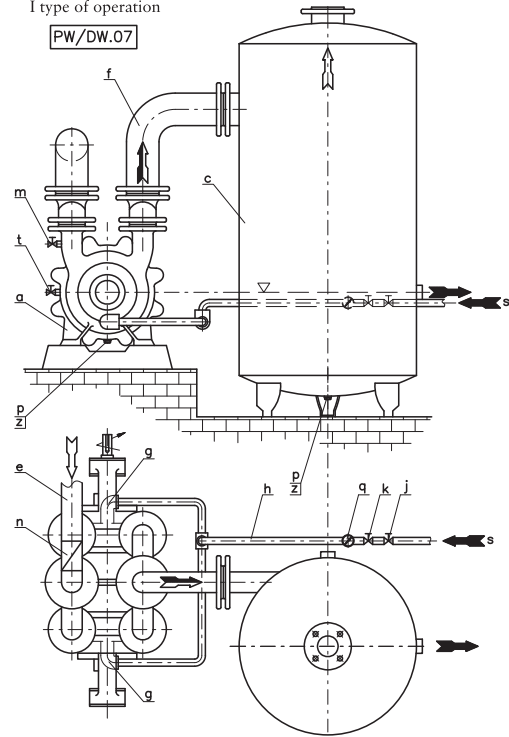
PW/DW.06



Installation scheme of vacuum pump
PW.4.21-24, PW.5.21-24, PW.7.21-24.

I type of operation

PW/DW.07

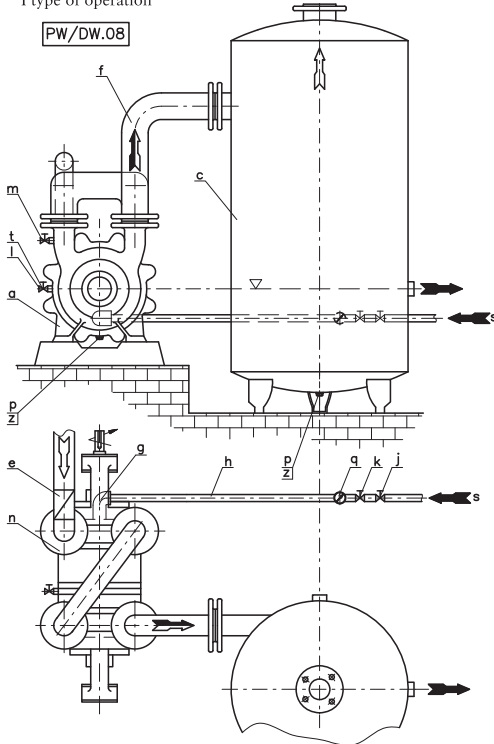


Installation scheme of vacuum pump
PW.4.11-14, PW.5.12-14, PW.7.11-14.

suction pipeline of working liquid “h” and connection “g” are installed only from the coupling side in vacuum pumps PW.4.11-12, PW.7.11.12.

I type of operation

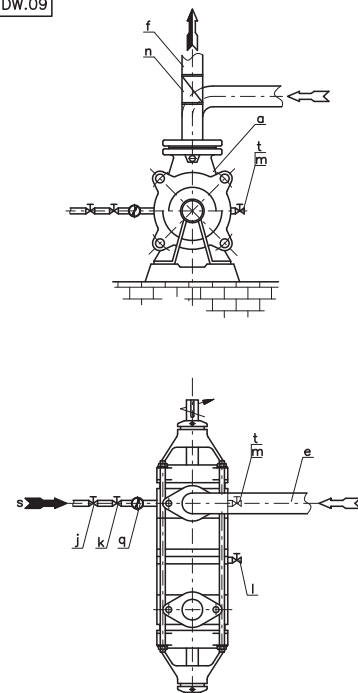
PW/DW.08



Installation scheme of vacuum pump
PW.4.21-24, PW.5.21-24, PW.7.21-24.

I type of operation

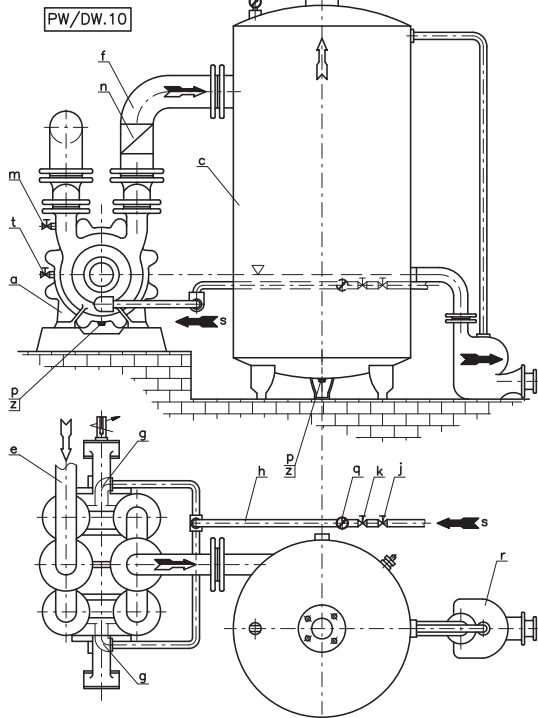
PW/DW.09



Installation scheme of blower DW.1

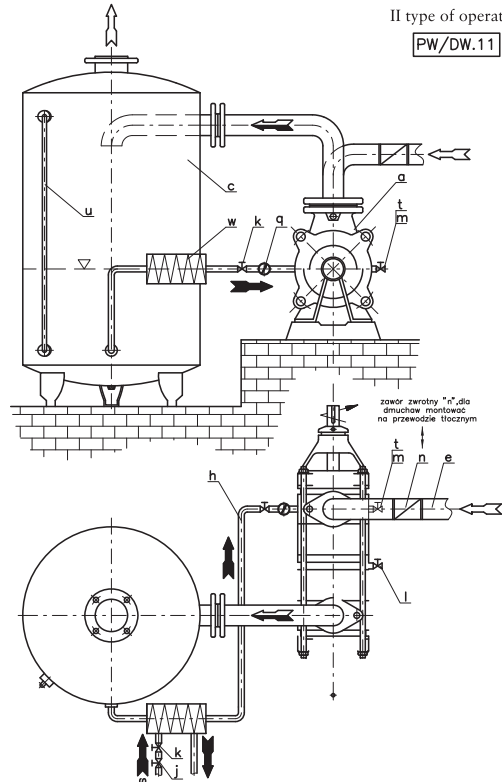
Examples of installation

I type of operation



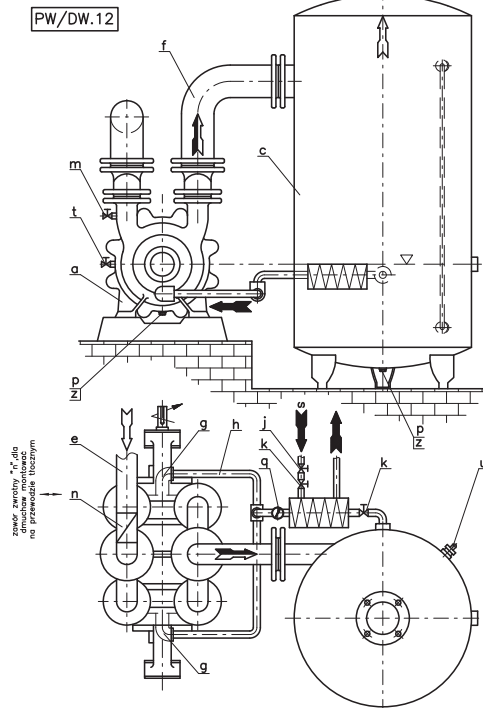
Suction pipeline of working liquid “h” and connection “g” are installed only from the coupling side in blowers DW.4.11-12, DW.7.11.12.

II type of operation



Installation scheme of blower DW.1 or vacuum pump PW.1

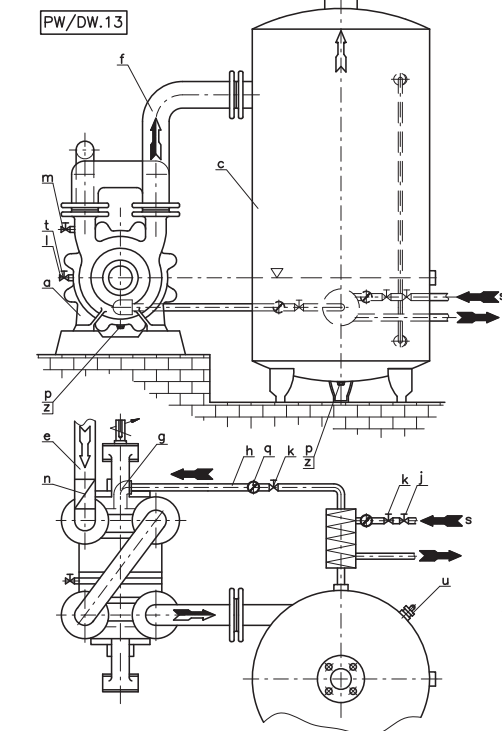
II type of operation



Installation scheme of vacuum pump PW.4.11-14, PW.5.12-14, PW.7.11-14 or blower DW.4.11-14, DW.5.12-14, DW.7.11-14.

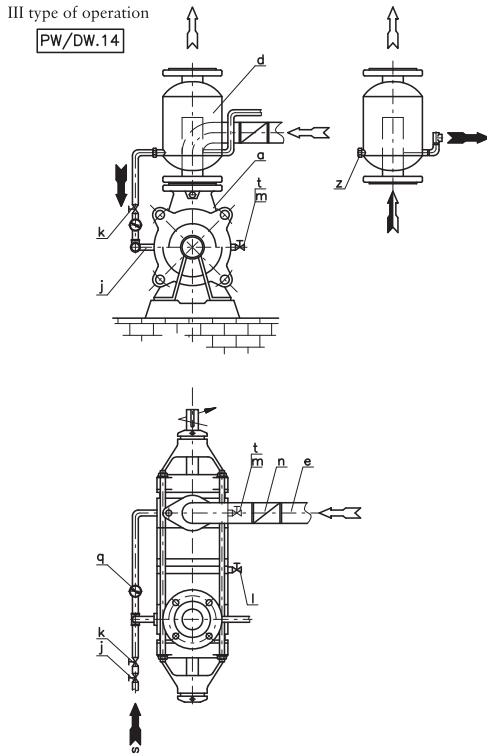
suction pipeline of working liquid “h” and connection “g” are installed only from the coupling side in vacuum pumps PW.4.11-12, PW.7.11.12 and blowers DW.4.11-12, DW.7.11-12.

II type of operation

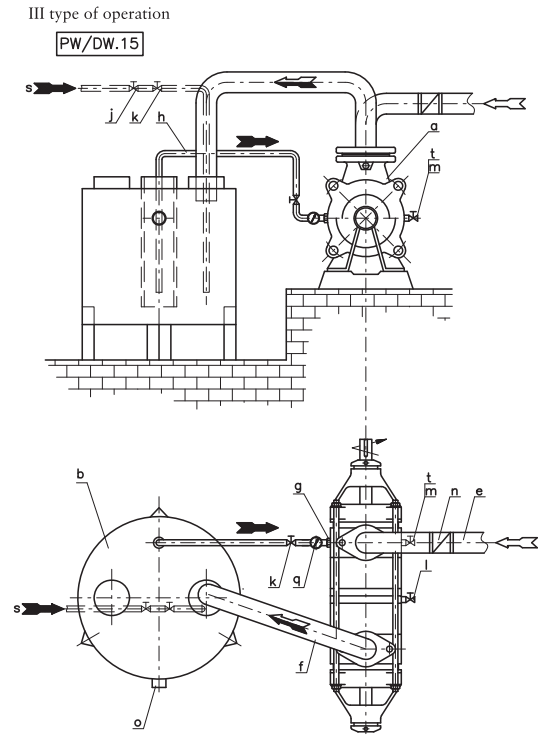


Installation scheme of vacuum pump PW.4.21-24, PW.5.21-24, PW.7.21-24.

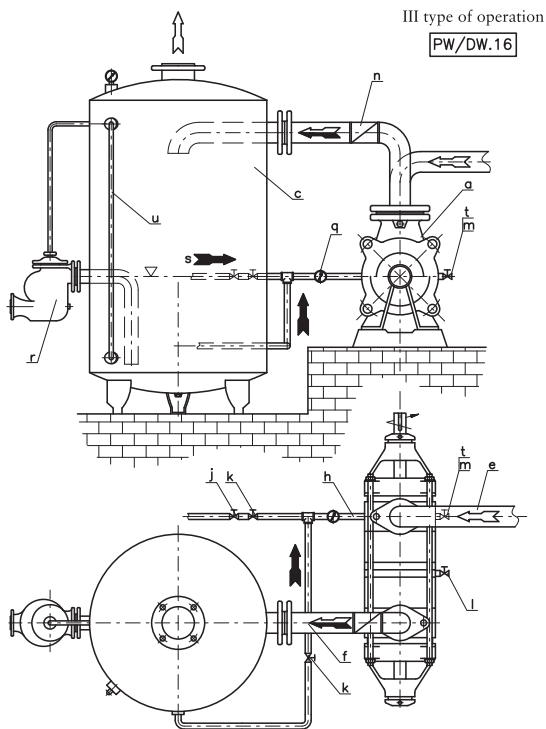
Examples of installation



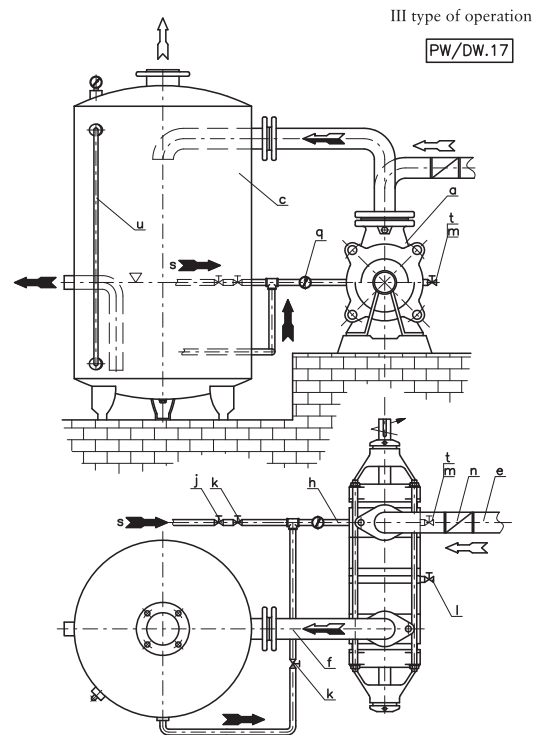
Installation scheme of vacuum pump PW.1.



Installation scheme of vacuum pump PW.1.



Installation scheme of blowers vacuum pump DW.1.

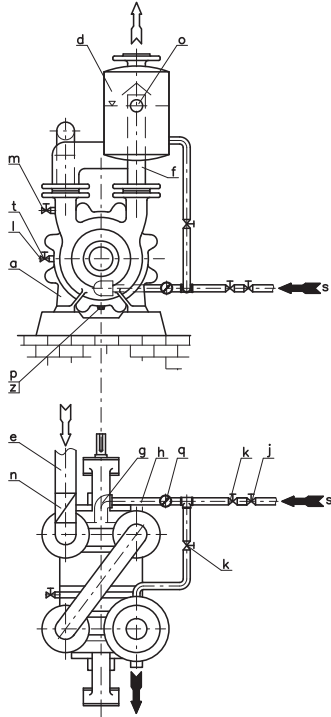


Installation scheme of vacuum pump PW.1.

Examples of installation

III type of operation

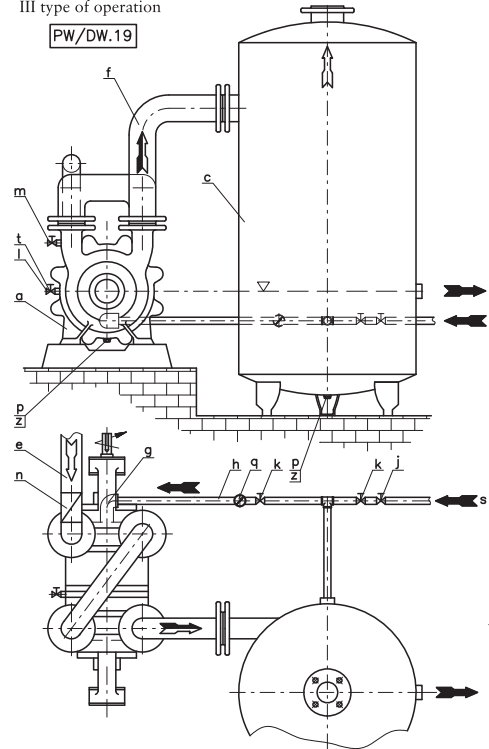
PW/DW.18



Installation scheme of vacuum pump
PW.4.21-24, PW.5.21-24, PW.7.21-24

III type of operation

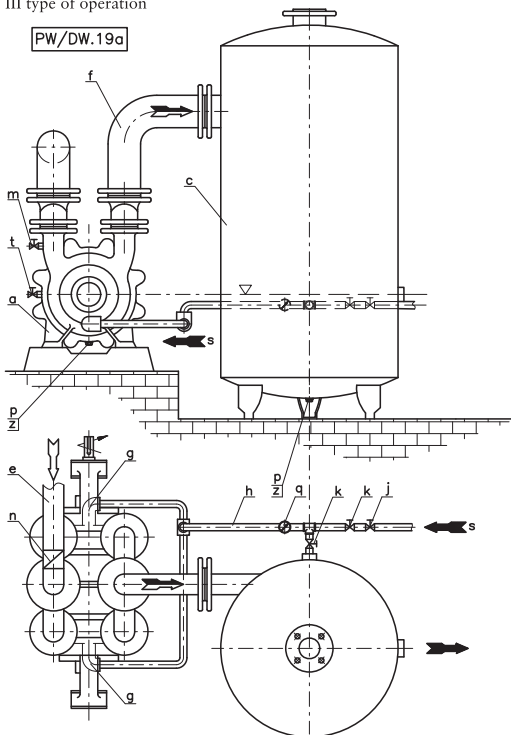
PW/DW.19



Installation scheme of vacuum pump
PW.4.21-24, PW.5.21-24, PW.7.21-24

III type of operation

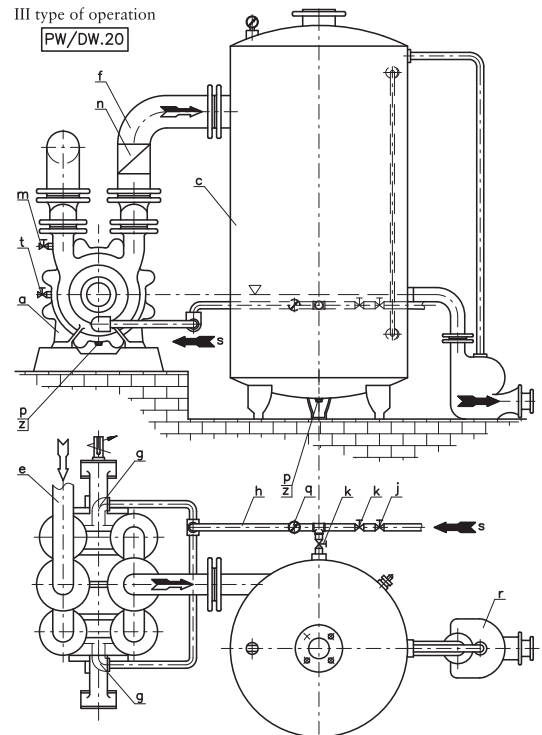
PW/DW.19a



Installation scheme of vacuum pump
PW.4.11-14, PW.5.12-14, PW.7.11-14,
suction pipeline of working liquid "h" and connection "g"
are installed only from the coupling side
in vacuum pumps PW.4.11-12, PW.7.11.12.

III type of operation

PW/DW.20



Installation scheme of blowers vacuum pump
DW.4.11-14, DW.5.12-14, DW.7.11-14,
suction pipeline of working liquid "h" and connection
"g" are installed only from the coupling side in
blowers DW.4.11-12, DW.7.11.12.